



Features

- 21.5" Touchscreen Display
- Intel 11th Generation Tiger Lake Core i3/i5 CPU
- Fanless Cooling System
- Windows 11 Compatible
- Multiple I/Os including 2x USB 2.0, 1x LAN, and 1x COM
- IP66/IP69K Waterproof Rated

Technical Specifications

General

Main Category Industrial Computer

Primary Components

Processor Family Intel Core I series 11th Generation Tiger Lake

Processor Model Standard Core i3-1115G4E, optional upgrade to i5-1145G7E

Processor Speed Up to 4.1 GHz

Memory Type 2x DDR4 SO-DIMM

Memory Support 4GB, 8GB, 16GB, 32GB, 64GB

Storage type 1x M.2 2280 SSD slot, SATA3 or NVME

Storage support 128GB-1TB

Display

Screen Size 21.5"

Resolution 1920 x 1080 (Full HD)

Screen Ratio 16:9

Brightness 250 nits, Optional 1000 nit High Brightness

Contrast Ratio 1000:1

Viewing Angle 178° (H), 178° (V)

Number of Colors 16.7M Supported

Expansion Slots

Internal Mini 1x Mini-PCIe

PCIe Internal M.2 1x M.2 2230 Key E (for WiFi expansion option)

Multimedia

Thermal and Environmental

Operating Array Temperature(32°F – 122°F (i3/i5))

Storage TemperatureArray (-22°F – 158°F)

Humidity Range10% – 90% Non-condensing

Storage Humidity10% – 90% Non-condensing

Cooling SolutionPassive – Fanless

Touch Screen

Touch Screen	Projected (Multi- touch)	Capacitive
Light Transmission	90±3%	
Lifetime Usage	50,000 hrs	

External I/O ports

USB1x M12 8Pin for USB 1/2
 Serial / Com1x M12 8-pin for COM
 Serial Protocol Detail1x RS-232/422/485
 (configured in BIOS), RS-232
 default
 Ethernet / LAN1x M12 8pin RJ45 Gbe LAN
 Other Ports2x blank M12s are reserved
 for optional IO expansion
 Power Input PortM12 type 3-PIN DC-in

Power

Input Voltage Range9-36V DC
 Max Power 36W
 consumption
 Standard Power Optional IP67, AC 90-305V
 AdapterInput, 96W OR Non-IP65, AC
 90-305V Input, 90W

Battery

Operating Systems

Windows	Windows 11 Pro, Windows 10 IoT, Windows 10 Pro
---------	---

Compatibility

Security Hardware	TPM 2.0
-------------------	---------

Enclosure

Material	SUS304 Stainless Steel
Ip Rating	IP66, IP69K
Color	Stainless Steel
Control Buttons	Power Switch
Mounting Options	Floor Stand, Swing Arm, VESA 100 Mount

Peripherals & Wireless Connectivity

WiFi	Optional WiFi + Bluetooth, Flat Antenna, Supports WIFI 6 (AX)
BlueTooth	Bluetooth 5.2
Sim card	1x Nano SIM Card Slot
RFID	Optional RFID module on front side, project only

Dimensions / Weight

Weight	7.9 KG (17.4 lbs)
Dimensions	540.4x332.4x61.9 mm (21.3 x 13.1 x 2.4 in)

Certification

Certifications	CE, FCC
----------------	---------

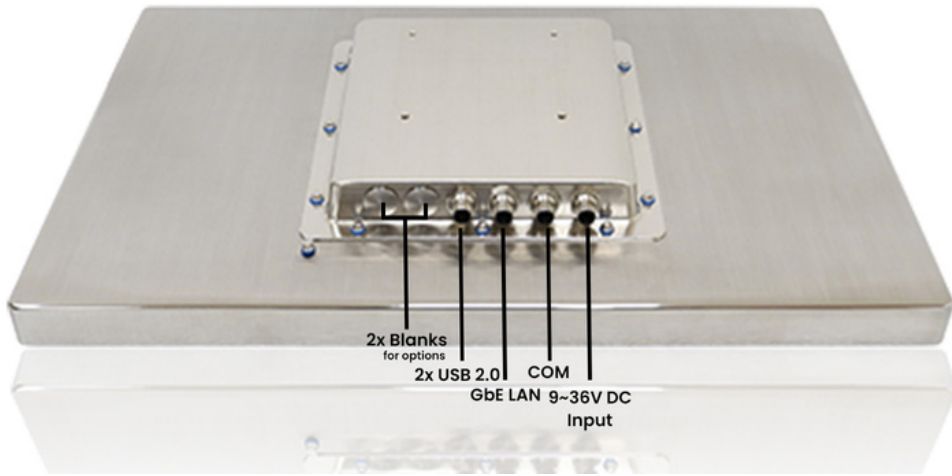
Warranty

Warranty	Up to 5 Years
----------	---------------

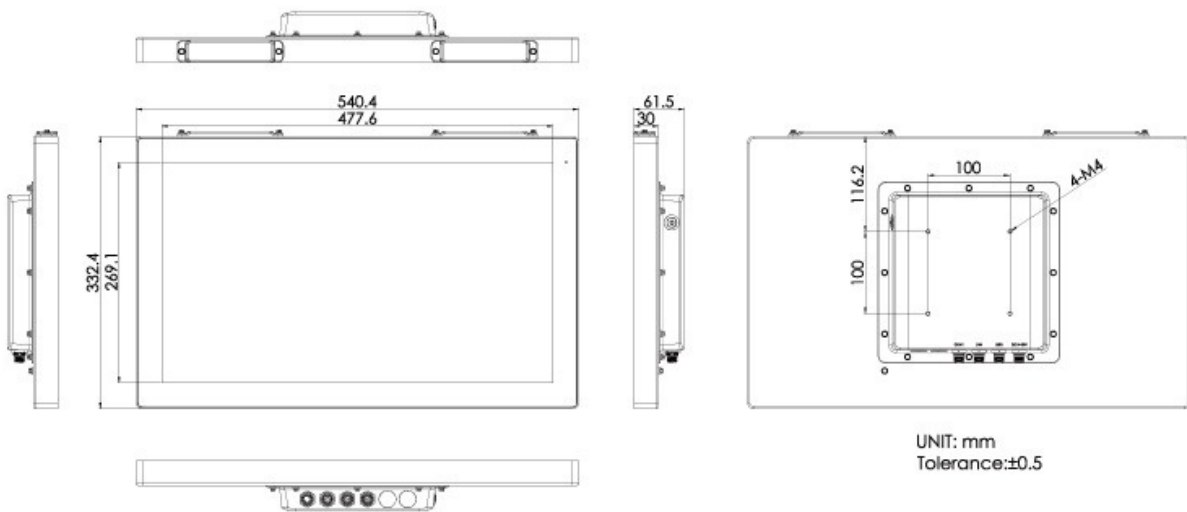
Filters

Main Category Filter	Industrial Computer
----------------------	---------------------

Inputs / Outputs



Technical Drawings



JOHN GEARY

Sr. Director of Rugged Tablet Sales
jgeary@decisionpt.com
978-490-7123

All specifications are subject to change without notice.